

“PA” PLATE AXIAL FANS

FOR INDUSTRIAL / COMMERCIAL USE

- 12 sizes from 200mm to 1000mm dia
- Airflow to 16m³/sec
- Single or Three Phase
- 2, 4 or 6 pole motors
- Speed Controllable



Uniclass L7534





"PA" RANGE - TECHNICAL DATA

Model	Size		Pole	Power	Current		dbA @ 3m	R.P.M	Max Airflow		Speed Controller	
	ins	cm		Kw	1 ph	3 ph			m³/hr	cfm	1 ph	3ph
PA204	8	20	4	0.03	0.33	0.16	33	1320	800	472	VC1AM	-
PA254	10	25	4	0.07/0.03	0.35	0.16	44	1320	1375	811	VC1AM	-
PA314	12	31	4	0.09	0.80	0.45	47	1300	2250	1327	VC1AM	-
PA354	14	35	4	0.12	1.10	0.45	52	1400	3300	1947	VC1AM	-
PA404	16	40	4	0.18	1.65	0.60	55	1350	5100	3009	VC4AM	VC2AT
PA454	18	45	4	0.37	3.30	1.20	61	1370	6820	4024	VC4AM	VC2AT
PA504	20	50	4	0.55	4.40	1.60	63	1400	9150	5398	VC7AM	VC2AT
PA506	20	50	6	0.18	1.40	0.75	53	880	6100	3600	VC4AM	VC2AT
PA564	22	56	4	0.75	5.00	2.20	66	1410	12250	7227	VC7AM	VC4AT
PA566	22	56	6	0.26	2.20	1.10	55	880	7700	4543	VC4AM	VC2AT
PA634	25	63	4	1.10	6.70	2.70	71	1400	14250	8407	VC7AM	VC4AT
PA636	25	63	6	0.37	2.80	1.20	61	910	9150	5398	VC4AM	VC2AT
PA714	28	71	4	2.20	-	5.90	75	1420	17750	10443	-	VC7AT
PA716	28	71	6	0.75	-	2.50	64	900	11250	6637	-	VC4AT
PA804A	32	80	4	4.00	-	7.60	83	1430	38600	22770	-	-
PA804B	32	80	4	2.20	-	4.60	81	1420	30400	17940	-	-
PA806	32	80	6	1.50	-	3.80	71	940	28800	17000	-	-
PA1004A	40	100	4	7.50	-	14.2	92	1465	61000	35990	-	-
PA1004B	40	100	4	5.50	-	10.6	90	1465	54500	32150	-	-
PA1006	40	100	6	3.00	-	6.80	81	960	46800	27610	-	-

Model	Duty - m³/sec at Pa											
	0	20	40	60	80	100	120	140	160	180	200	250
PA204	0.22	0.07	0.03	-	-	-	-	-	-	-	-	-
PA254	0.38	0.22	0.10	0.04	-	-	-	-	-	-	-	-
PA314	0.63	0.54	0.33	0.23	0.19	-	-	-	-	-	-	-
PA354	0.92	0.82	0.60	0.40	0.34	0.29	-	-	-	-	-	-
PA404	1.42	1.29	1.14	0.71	0.60	0.51	0.40	-	-	-	-	-
PA454	1.89	1.79	1.64	1.41	0.84	0.74	0.65	0.53	-	-	-	-
PA504	2.54	2.44	2.30	2.17	1.94	1.64	1.11	0.98	0.87	-	-	-
PA506	1.69	1.44	0.94	0.51	-	-	-	-	-	-	-	-
PA564	3.40	3.26	3.14	3.01	2.83	2.57	2.22	1.44	-	-	-	-
PA566	2.14	1.90	1.57	0.90	-	-	-	-	-	-	-	-
PA634	3.96	3.68	3.47	3.25	2.92	2.49	2.03	1.80	1.69	1.50	1.29	-
PA636	2.54	2.19	1.74	1.24	0.86	-	-	-	-	-	-	-
PA714	4.93	4.67	4.42	4.23	3.99	3.75	3.53	3.17	2.85	2.32	2.14	1.85
PA716	3.13	2.75	2.36	1.99	1.39	0.94	-	-	-	-	-	-
	0	50	100	150	200	250	300	350	400	450	500	550
PA804A	10.72	10.00	9.28	8.33	7.78	6.39	4.30	-	-	-	-	-
PA804B	8.44	7.83	7.22	6.53	5.89	4.80	-	-	-	-	-	-
PA806	8.00	6.44	5.19	-	-	-	-	-	-	-	-	-
PA1004A	16.94	16.32	15.75	15.17	14.44	13.67	12.71	11.61	10.17	7.64	6.33	5.50
PA1004B	15.14	13.92	12.89	11.97	10.94	9.79	7.56	6.06	5.08	-	-	-
PA1006	13.00	11.89	10.83	9.50	6.25	-	-	-	-	-	-	-

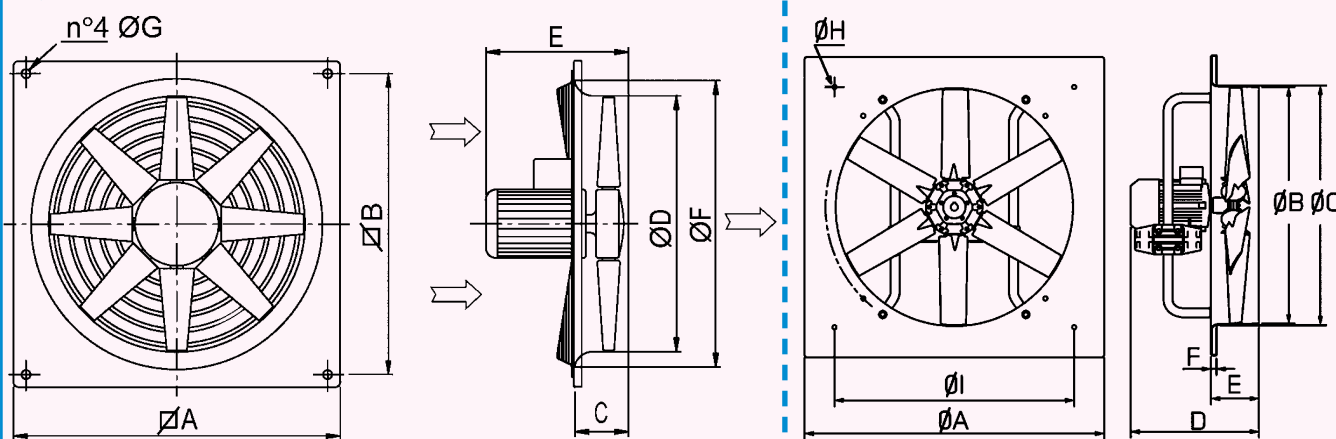
“PA” RANGE - SOUND POWER LEVELS

Model	Mid Octave Bands - PA/PAFL								Model	Mid Octave Bands - PA & PAFL							
	63	125	250	500	1000	2000	4000	8000		63	125	250	500	1000	2000	4000	8000
PA204	23	41	44	48	49	47	44	39	PA634	61	79	82	86	87	85	82	77
PA254	35	53	55	60	61	59	56	51	PA636	52	70	72	77	78	76	73	68
PA314	38	56	58	63	64	62	59	54	PA714	65	76	92	90	91	89	86	81
PA354	42	60	62	67	68	66	63	58	PA716	55	73	75	80	81	79	76	71
PA404	45	63	66	70	71	69	66	61	PA804A	69	80	96	95	95	93	90	85
PA454	52	70	72	77	78	76	73	68	PA804B	67	78	95	92	93	91	88	83
PA504	53	71	74	78	79	77	74	69	PA806	59	77	80	84	85	83	80	75
PA506	43	61	64	68	69	67	64	59	PA1004A	80	91	107	105	106	104	101	96
PA564	55	66	83	80	81	79	76	71	PA1004B	79	90	104	102	103	102	97	93
PA566	45	63	65	70	71	69	66	61	PA1006	71	89	97	98	96	95	89	85

“PA” RANGE - DIMENSIONS mm

PA, PAFL - 200-710mm

PA - 800-1000mm



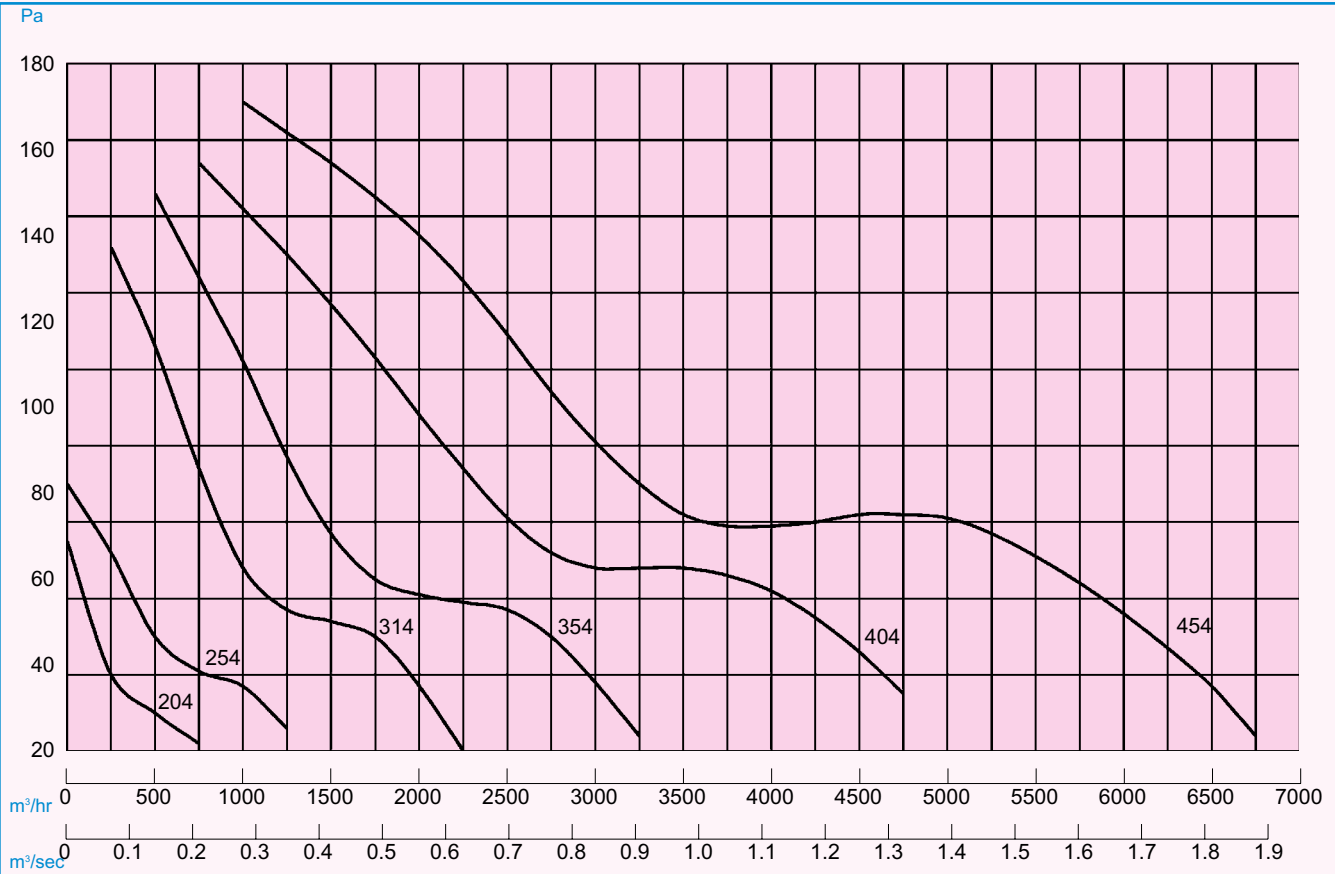
Model	A	B	C	ØD	PA	PAFL	ØF	ØG	PA	PAFL
					E				Kg	
PA200s	290	250	88	210	240	295	260	9	5	13
PA250s	340	300	88	260	240	295	315	9	7	14
PA310s	390	350	88	310	280	295	365	9	8	14
PA350s	440	400	108	360	320	355	410	9	9	20
PA400s	490	450	108	410	320	390	465	9	10	23
PA450s	540	500	108	460	340	405	510	9	14	30
PA500s	650	600	108	510	365	405	570	12	20	35
PA560s	700	630	108	570	365	405	630	12	22	37
PA630a	800	730	108	640	385	405	700	12	26	46
PA710s	850	800	108	710	440	490	770	12	35	59

“PA” RANGE - DIMENSIONS - 804A - 1006 - mm

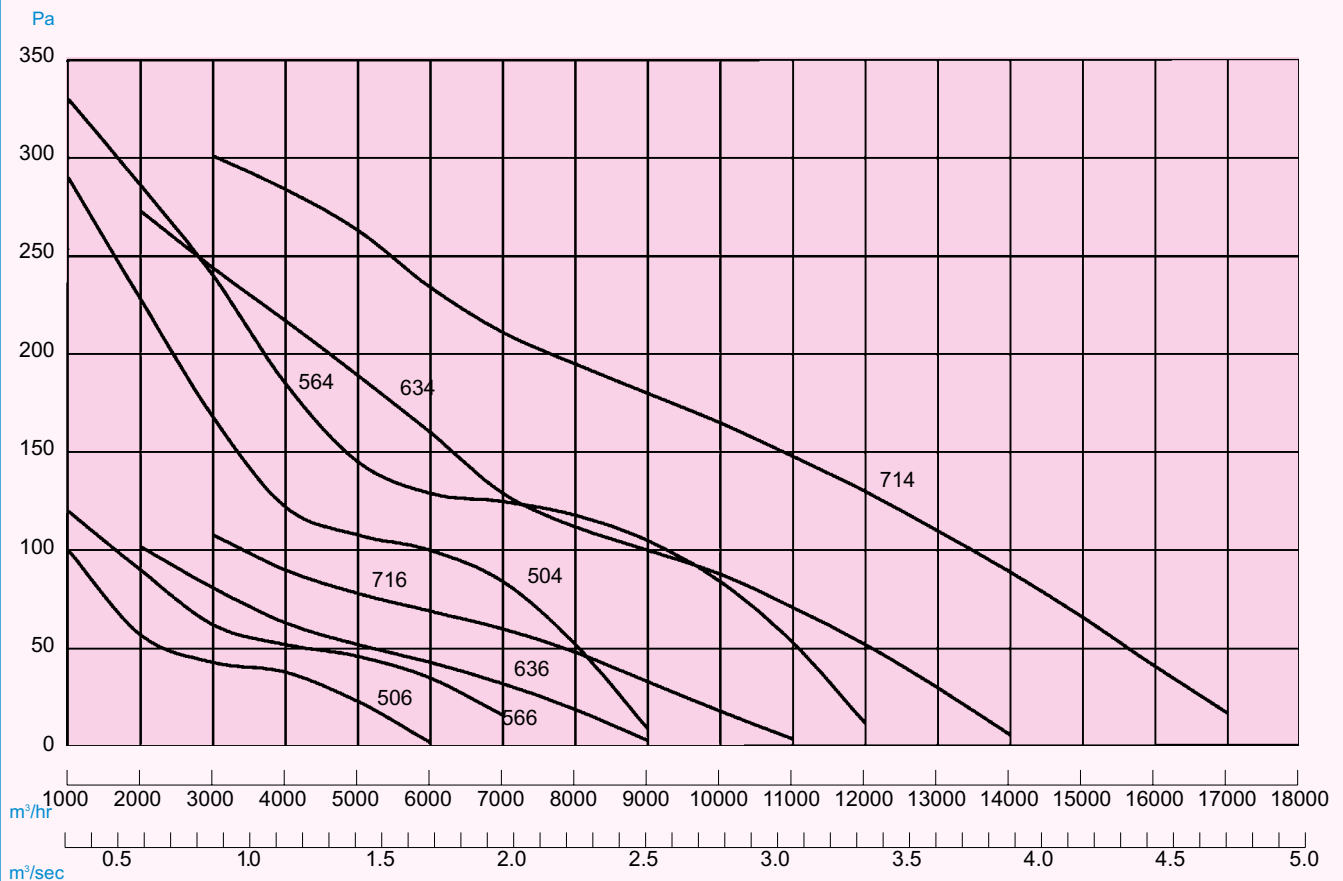
Model	øA	øB	øC	D	E	F	øH	øI	kg
PA804A	1000	787	800	489	160	18	14	800	59
PA804B	1000	787	800	468	160	18	14	800	50
PA806	1000	787	800	468	160	18	14	800	50
PA1004A	1250	986	998	519	160	18	15	1000	100
PA1004B	1250	986	998	519	160	18	15	1000	97
PA1006	1250	986	998	519	160	18	15	1000	96



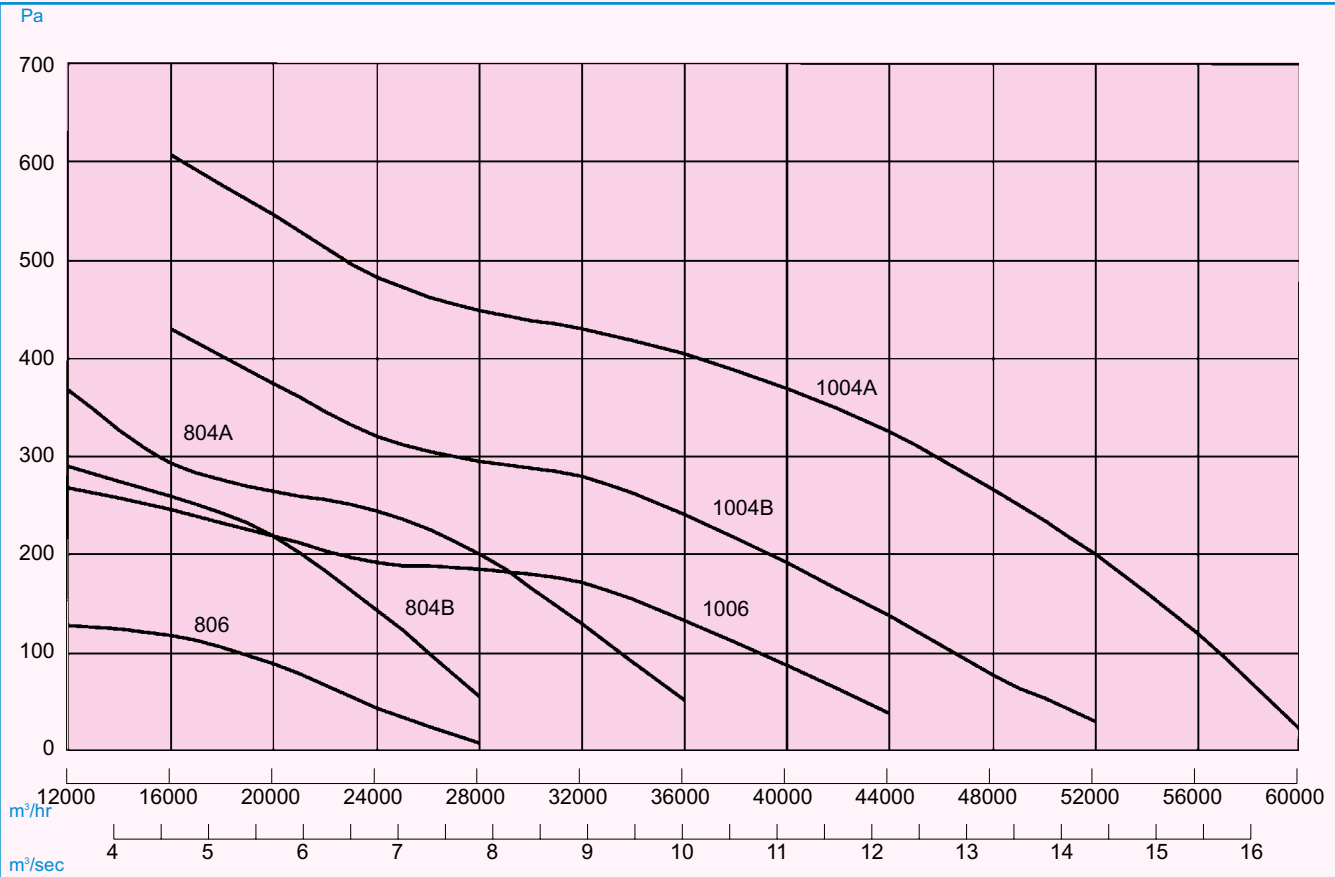
“PA” RANGE - PERFORMANCE CURVES 204-454



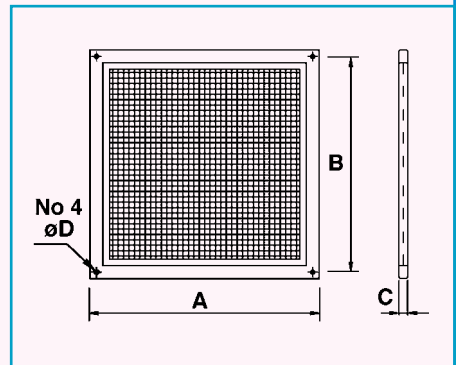
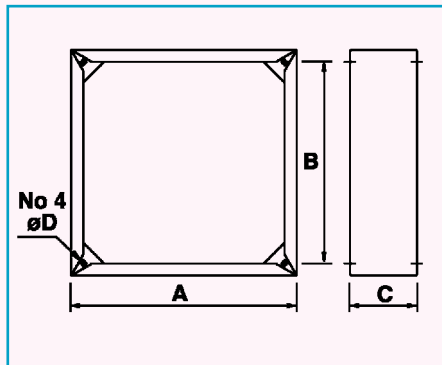
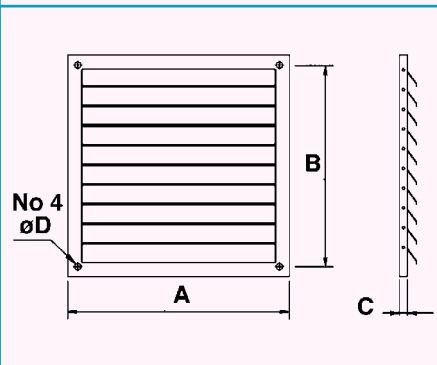
“PA” RANGE - PERFORMANCE CURVES 504-716



“PA” RANGE - PERFORMANCE CURVES 804A-1006



ACCESSORIES



Fan	Gravity Grilles	A	B	C	øD	Kg
200s	GG20	275	250	10	10	0.8
250s	GG25	325	300	10	10	1.0
310s	GG31	375	350	10	10	1.2
350s	GG35	425	400	10	10	1.7
400s	GG40	475	450	10	10	2.0
450s	GG45	530	500	15	10	2.4
500s	GG50	630	600	15	10	3.4
560s	GG56	660	630	15	10	4.0
630s	GG63	760	730	15	10	4.6
710s	GG71	830	800	15	10	5.2

Fan	Spacers	A	B	C	øD	Kg
200s	SP20	285	250	83	M6	1.5
250s	SP25	330	300	83	M6	2.0
310s	SP31	380	350	105	M6	2.5
350s	SP35	430	400	105	M6	2.9
400s	SP40	480	450	105	M6	3.3
450s	SP45	530	500	105	M6	3.8
500s	SP50	640	600	105	M8	5.0
560s	SP56	690	630	105	M8	6.0
630s	SP63	790	730	105	M8	7.0
710s	SP71	840	800	105	M8	8.0

Fan	Protection Guards	A	B	C	øD	Kg
200s	PG20	275	250	10	10	1.3
250s	PG25	325	300	10	10	1.5
310s	PG31	375	350	10	10	1.9
350s	PG35	425	400	10	10	2.3
400s	PG40	475	450	10	10	2.7
450s	PG45	530	500	15	10	2.8
500s	PG50	630	600	15	10	4.0
560s	PG56	330	630	15	10	4.6
630s	PG63	760	730	15	10	5.3
710s	PG71	830	800	15	10	6.0

“SL” RANGE - TECHNICAL DATA

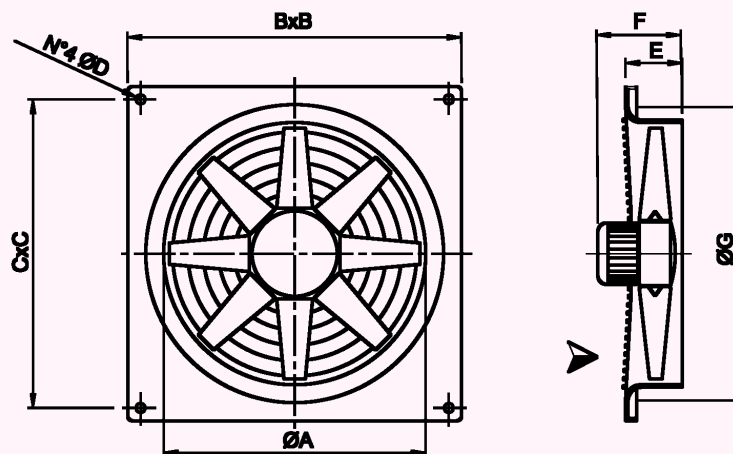
Model	Size		Pole	Power	Current	dbA @ 3m	R.P.M	Max Airflow		Speed Controller
	ins	cm		Kw				m ³ /hr	cfm	
SL354	14	35	4	0.15	1.0	54	1400	3500	2065	VC1
SL404	16	40	4	0.18	1.1	55	1400	5180	3056	VC1
SL454	18	45	4	0.25	1.5	58	1400	6500	3835	VC4M
SL504	20	50	4	0.35	1.8	62	1400	8050	4750	VC4M
SL564	20	50	6	0.55	3.6	69	1400	11000	6845	VC4M

Model	Duty - m ³ /sec at Pa									
	0	20	40	60	80	100	120	140	160	180
SL354	0.97	0.92	0.84	0.73	0.37	-	-	-	-	-
SL404	1.44	1.35	1.22	1.08	0.92	0.55	-	-	-	-
SL454	1.80	1.73	1.64	1.51	1.32	1.07	0.68	-	-	-
SL504	2.24	2.13	2.00	1.86	1.68	1.46	1.21	0.91	-	-
SL564	3.06	2.90	2.73	2.52	2.33	2.10	1.85	1.60	1.28	0.77

“SL” RANGE - SOUND POWER LEVELS

Model	Mid Octave Bands								
	63	125	250	500	1000	2000	4000	8000	
SL354	60	61	67	66	67	70	68	60	
SL404	64	65	70	68	69	71	70	63	
SL454	64	65	71	70	72	74	73	65	
SL504	68	70	75	75	76	78	77	70	
SL564	53	72	83	82	83	85	80	70	

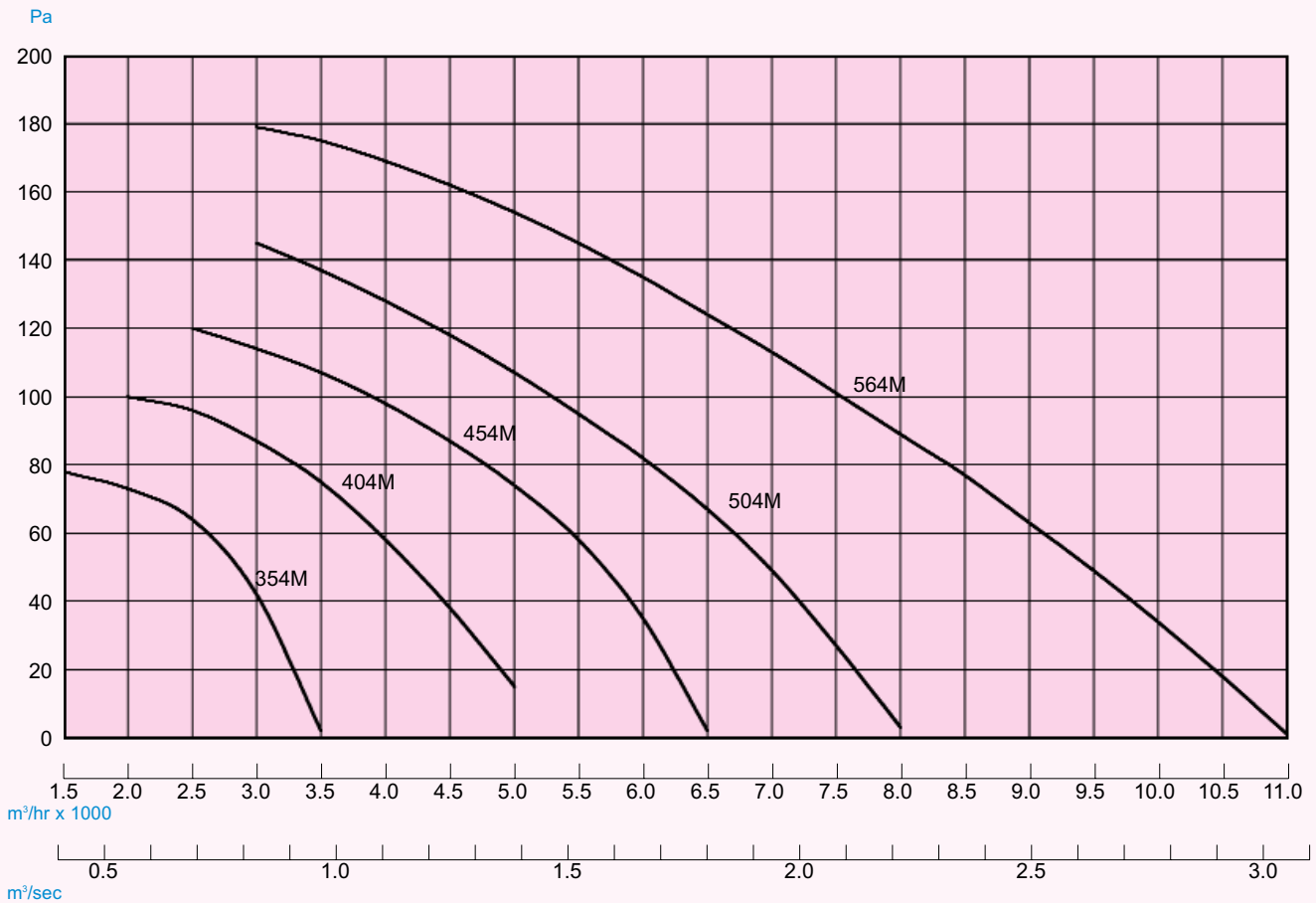
“SL” RANGE - DIMENSIONS - mm



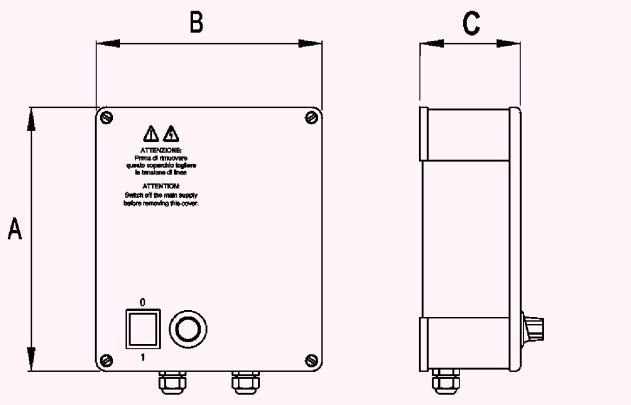
Model	ØA	B x B	C x C	ØD	E	F*	ØG	Kg*
SL354	360	440	400	10	110	170	410	6
SL404	410	500	450	10	110	170	465	7
SL454	460	560	510	10	110	170	510	9
SL504	510	650	580	10	110	175	570	10
SL564	570	700	630	10	130	210	630	16

* indicative

“SL” RANGE - PERFORMANCE CURVES



SPEED CONTROLLERS - DIMENSIONS (mm)



Code	A (height)	B(width)	C(depth)
VC4AM	252	216	96
VC7AM	312	262	126
VC2AT	255	190	110
VC4AT	312	262	126
VC7AT	316	253	143

GENERAL

- For wall or panel mounting.
- For industrial and commercial installations.
- High performance rates combined with low noise level
- "PAFL" models with ATEX explosion proof motor for installation in Zone 1 areas
- "SL" models for use where space is limited
- "PAHT" High temperature models (Smokex®)
- Airflow to 16m³/sec.
- Can be used with speed controller (except flameproof models)
- Can be installed with airflow reversed (except 200 and 250 sizes)

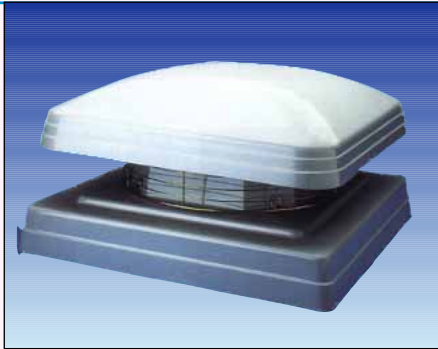
SPECIFICATION

- PA and PAFL frame in epoxy painted steel plate
- SL frame in steel or high density plastic
- Blade in reinforced polypropylene
- Blade hub in die-cast aluminium
- Safety grille in steel rod
- Class F motor insulation
- Suitable for operation in air temperatures between -10°C and +60°C
- IP55 protection (except 204 and 254 sizes)
- **Optional** die-cast aluminium blades
- 8 pole motors available on certain 3 phase sizes

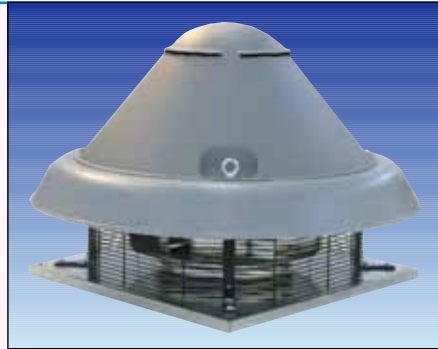
COMPLY WITH

- UNI EN ISO 9000-2000 certified
- UNI ISO 6580-EUROVENT
- EC Low Voltage Directive 73/23-93/68
- EC Directive EMC89/336
- CE marked
- ATEX Directive

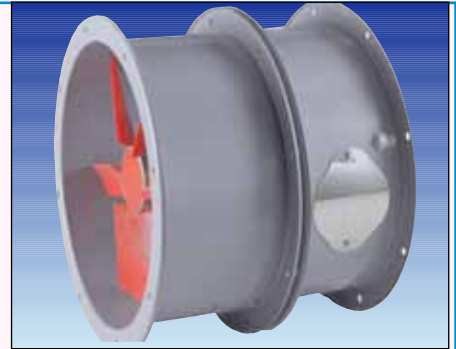
OTHER VECTAIRE INDUSTRIAL / COMMERCIAL / DOMESTIC PRODUCTS



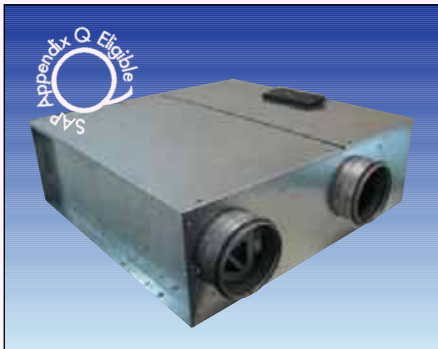
Roof Mounted Axial Fans



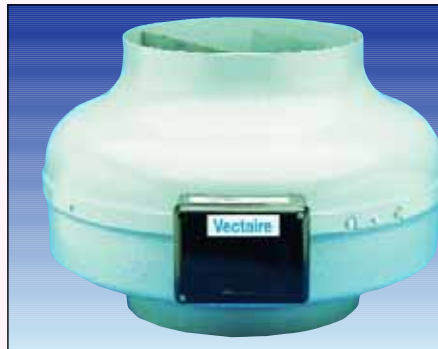
Centrifugal Roof Fans



Long Cased Axial Fans



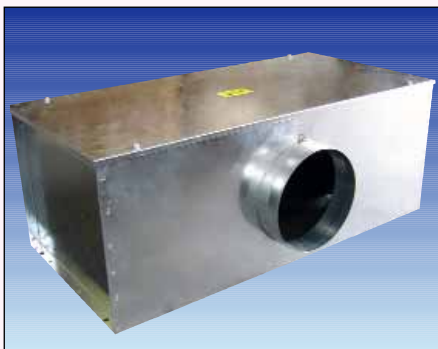
Heat Recovery



In-Line Fans



Air Handling Units



Centrifugal Twin Fans



Microbox for Apartments



Built-in Wall Fans



Window/Wall Fans



E-Smile - SAP Appendix Q Eligible Model



Toilet / Bathroom / Kitchen Fans

Vectaire Ltd

Lincoln Road
 Cressex Business Park
 High Wycombe
 Buckinghamshire
 HP12 3RH
 Tel: +44 (0)1494 522333
 Fax: +44 (0)1494 522337
 Email: sales@vectaire.co.uk
 Web: www.vectaire.co.uk

